

Contents

Important User Information	2	Supplied Hardware	3
Safety Precautions	2	Assembly	3
Required Tools	3		



Visit the Symphony Chair web page at wengercorp.com for more information.

Note: Please read and understand these instructions before proceeding.
Note: If you need additional information, contact Wenger Corporation using the information below.

Important User Information

General

Copyright © 2024 by Wenger Corporation

All rights reserved. No part of the contents of this manual may be reproduced, copied, or transmitted in any form or by any means including graphic, electronic, or mechanical methods or photocopying, recording, or information storage and retrieval systems without the written permission of the publisher, unless it is for the purchaser's personal use.

Printed and bound in the United States of America.

The information in this manual is subject to change without notice and does not represent a commitment on the part of Wenger Corporation. Wenger Corporation does not assume any responsibility for any errors that may appear in these instructions.

In no event will Wenger Corporation be liable for technical or editorial omissions made herein, nor for direct, indirect, special, incidental, or consequential damages resulting from the use or defect of these instructions. The manufacturer reserves the right to change this product at any time.

The information in this document is not intended to cover all possible conditions and situations that might occur. The end user must exercise caution and common sense when assembling or installing Wenger Corporation products. If any questions or problems arise, call the Wenger Corporation at (800) 4WENGER (493-6437) or +1-507-455-4100 worldwide.

Manufacturer

The Symphony Chair Cart is manufactured by:

Wenger Corporation
555 Park Drive
Owatonna, MN 55060
(800) 4WENGER (493-6437) • +1 (507) 455-4100
wengercorp.com

Intended Use

- This product is intended for indoor use in normal ambient temperature and humidity conditions — it must not be exposed to prolonged outside weather conditions.
- This product is intended to be assembled and used only as described in these instructions.

Warranty

Warranty information is available at wengercorp.com.

Safety Precautions

Throughout this document you may find cautions and warnings which are defined as follows:

- **WARNING:** Failure to follow the instruction could result in serious injury or damage to property.
- **CAUTION:** Failure to follow the instruction could result in minor injury or damage to property.

Read all of these safety instructions before using the equipment.

CAUTION

Make sure anyone assembling, installing or using this product has read and understands these instructions.

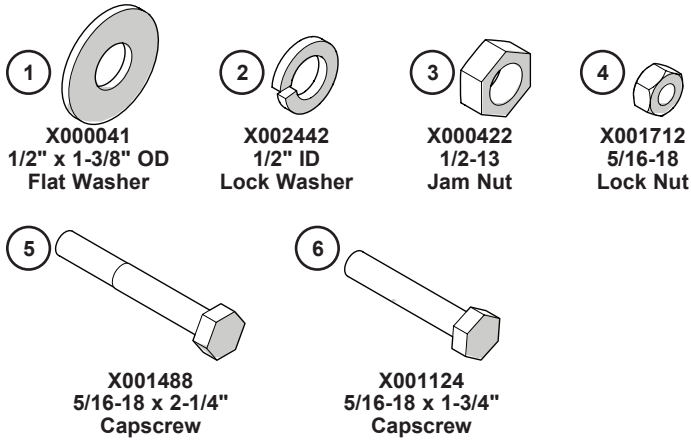
CAUTION

Failure to comply with Warnings and Cautions in this document or on the equipment can result in damage to property or injury.

Required Tools

- 1/2" Open-end wrench or socket
- 3/4" Open-end wrench or socket
- Rubber mallet

Supplied Hardware

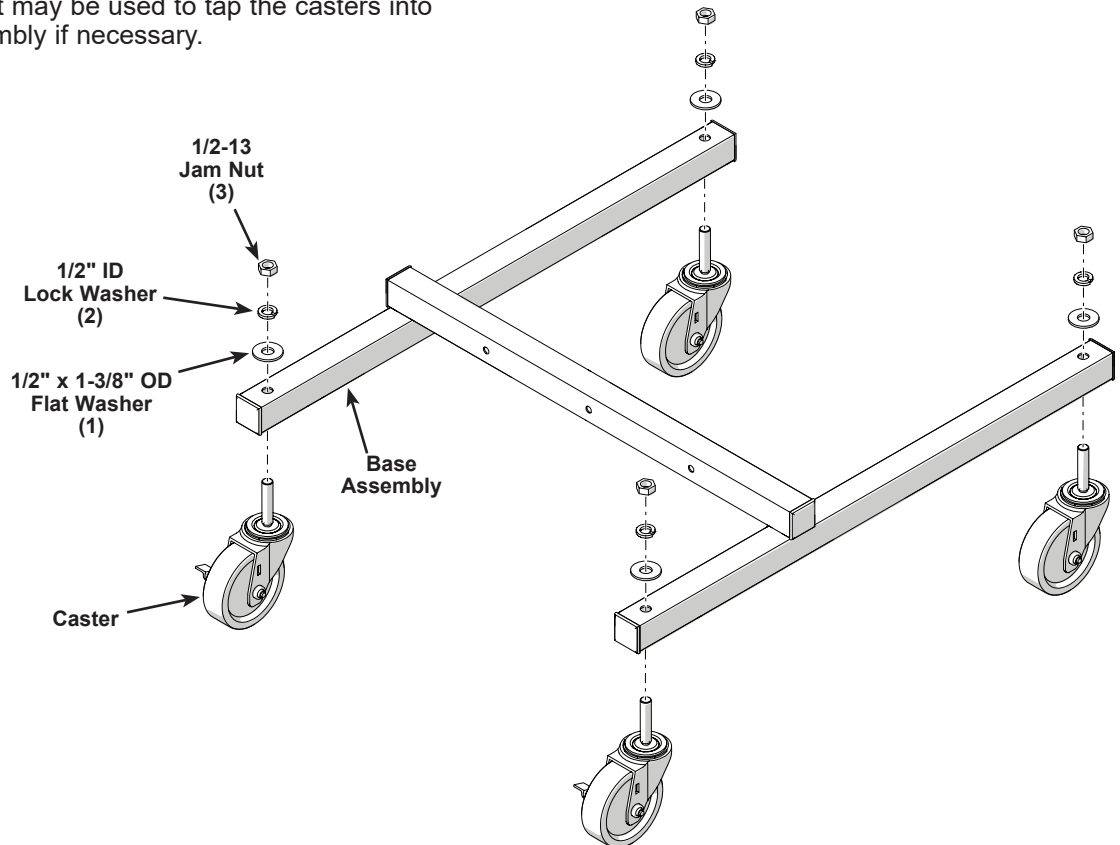


*Quantities may vary, extras can be discarded.

Assembly

1. Attach the four casters to the bottom of the base assembly using one 1/2" x 1-3/8" OD flat washer (1), 1/2" ID lock washer (2) and 1/2-13 jam nut (3).

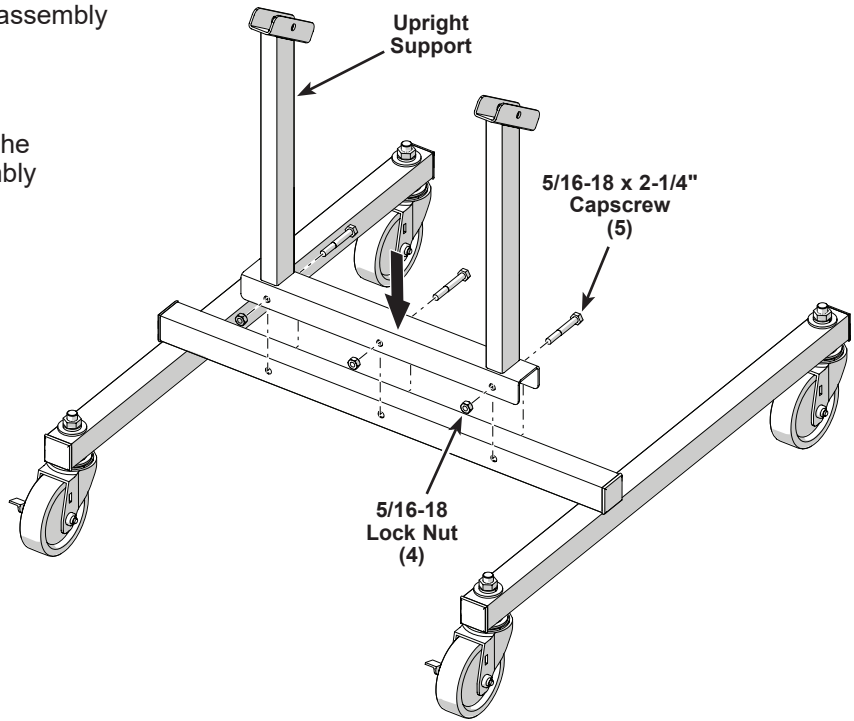
A rubber mallet may be used to tap the casters into the base assembly if necessary.



Assembly (continued)

- Set the upright support on the base assembly and attach it using three 5/16-18 x 2-1/4" capscrews (5) and 5/16-18 lock nuts (4).

A rubber mallet may be used to tap the upright support onto the base assembly if necessary.



- Set the chair rest on the upright support and attach to both sides using one 5/16-18 x 1-3/4" capscrew (6) and 5/16 lock nut (4).

NOTICE

Inspect the Symphony Chair Cart periodically to be sure that all fasteners are tight.

